



1600 BANGERS

2023 Rules, Regulations & Specifications

Contents

1. THE FORMULA	2
2. WHO CAN RACE	2
3. WHAT TO DO NEXT	2
4. ELIGIBLE CARS	3
5. INITIAL PREPARATIONS	3
6. PERSONAL SAFETY	3
7. SAFETY EQUIPMENT	3
7.1 CRASH HELMET	3
7.2 RACING OVERALLS / GLOVES	3
7.3 A NECK BRACE	4
7.4 BALACLAVA	4
7.5 WET WEATHER CLOTHING	4
7.6 1kg FIRE EXTINGUISHER	4
7.7 DRIVERS SEAT WITH HEAD RESTRAINT	4
7.8 SAFETY HARNESS	4
8. VIOLATIONS	4
9. GENERAL RULES OF RACING	4
10. DEMOLITION – TYPE EVENTS	5
11. ROLL BAR	5
12. BODYWORK	5
13. ENGINES	7
14. GEARBOX	8
15. WHEELS & TYRES	8
16. EXHAUSTS	9
17. COOLING SYSTEM	9
18. BRAKES	9
19. FUEL SYSTEM	9
20. BATTERIES & THE ELECTRICAL SYSTEM	10
21. MIRRORS	10
22. PAINTWORK	10
23. SUN VISOR	10
24. FIN PLATES	10
25. STEERING WHEELS	10
26. DATA LOGGING	10
27. SEAT BELTING	11
28. SPECIFICATION & RULE CHANGES	11

1. THE FORMULA

This formula is designed to encourage new drivers to our circuits, to enjoy the atmosphere & thrills of driving on an oval, without the substantial financial investment. It also gives the opportunity to race to those drivers who cannot give the commitment necessary to compete at the very high level of all our other Formulas. The Formula should appeal to all drivers: from complete novice, who may be concerned about contact (they can display a black & white cross on the back of their car until they are confident to race without it), & the more experienced driver, who can use **light contact** to make his/her way through the traffic to the finishing flag.

The object of the racing is to complete the specified number of laps in the shortest time. You may push a car from behind, or spin a car either way but there is no following-in on post and wire tracks (you must not be on the back or side of a car as it hits the fence). 'T-Bones' are also not permitted (Section 9). If at any time the racing is felt to be "proessional or roddy" the Starting Marshall will wave a blue flag & then drivers must not overtake another car without attempting to spin the car out.

Racing is in a clockwise direction on a clearly defined circuit with a separate infield. Any wheels passing over the demarcation lines or entering on to the grassed infield areas will mean that the driver will be penalised.



2. WHO CAN RACE

This formula is especially designed to encourage new drivers to Stadium Racing and to enjoy the atmosphere and excitement of driving without a large financial investment, or for drivers who feel they cannot give the commitment required to compete at a very high level in the other various formulas available. All licence applications will be reviewed by the Promoter and it must be understood that applications may be refused if it is considered that the prospective driver is too experienced for this entry level formula.

- Contact the Stockcar Office via 01252 322920 to make your booking.
- Each booking is £20.00 per licenced driver and £32.00 per day licence driver.

3. WHAT TO DO NEXT

1. Check through the fixture list for the Banger fixtures and select a meeting or meetings.
2. Contact the Stockcar Office for a booking-in form which you must complete. Details about payment can be discussed with the Administrator.
3. Return the form to the Racing Administrator as soon as possible, as bookings are on a first come first served basis.
4. When the form has been processed you will be placed on to the booking system.
5. On arrival at the Stadium you must first book in at the pit office and pay any fees applicable.
6. You must then get the car Scrutineered and obtain the Passed Scrutineering Sticker which has to be displayed in a prominent position on the car.
7. Ensure you are familiar with the raceway flags and the rules of racing, as you are now ready to race and will come under all the Rules & Regulations, similar to all the other formulae.

4. ELIGIBLE CARS

1. Any right-hand 2 wheel drive saloon, hatchback or estate car with a steel body with an engine size not exceeding 1600cc, with either carburettors or Multi Point Injection or Diesel. Exceptions to this rule are the following vehicles which are not permitted: Vauxhall Tigra, Vectra, Vauxhall Insignia, Ford Mondeo, and any type of Van. We will be constantly monitoring the formula and any new vehicle not within the spirit of the formula can be ruled out at any point.
2. Cars must be made in upto 1600cc form.

5. INITIAL PREPARATIONS

1. Remove all exterior mouldings, screen glass, lamps, handles *and any spoilers*.
2. Remove all *airbags and charges (if fitted)*, interior trim, the dash if possible & passenger seating.
3. Remove the fuel tank, spare wheel carrier & tow bar if fitted.
4. Remove rear spoiler and side skirts even if factory fitted.
5. Remove all obsolete wiring and interior debris from the car.
6. It is compulsory to pad steering columns with foam and not pipe lagging.
7. It is compulsory to pad the B pillar and roll cage.
8. Read & familiarise yourself with the Banger Rules & Regulations for preparing the race car
9. **All towing eyes must be removed.**

6. PERSONAL SAFETY

Drivers are advised that under Health & Safety, they are responsible for their own and their Mechanic's actions. Promoters have had complaints made about Registered Drivers & also Mechanics, consuming large amounts of alcohol at meetings, which could effect their judgement or be detrimental to their health, when medical attention has to be administered by Paramedics, St Johns or Hospital Staff.

Should an incident occur that proves fatal on the raceway and you are involved, it is likely that the Police will want interview you. If you drive, don't drink! Scrutineers and Officials will report to the Clerk of the Course, anybody they believe is under the influence of Drink or Drugs.

Drivers who are thought to be under the influence, may be breathalysed.

Flags as used by the Starting Marshall & Trackside Safety Staff.

- Waved Green Flag – Go, the race has started.
- Waved Red Flag – Stop racing, slow down and stop immediately.
- Chequered Flag – The race winner has crossed the line, continue to race until the Red Flag is shown.
- Held Yellow Flag – Beware, you are approaching a hazard on the track, continue to race with caution.
- Waved Yellow – Slow down to rolling lap speed, hold your position, and do not overtake any other cars. The pace car is entering the circuit to control the pace until the raceway is clear to race.
- A Blue Flag – The race has become processional, you may not pass another driver without attempting to spin them out.
- Black cross on a White board – You have committed an infringement and may be penalised in the results.
- Waved Black Flag - You are disqualified, pull off the track immediately.
- White Flag with a Red Cross – Technical Disqualification, leave the track immediately

7. SAFETY EQUIPMENT

7.1 CRASH HELMET

Please visit the ORCi website www.orci.co.uk for current safety equipment regulations.

7.2 RACING OVERALLS/GLOVES

Please visit the ORCi website www.orci.co.uk for current safety equipment regulations.

7.3 A NECK BRACE

Please visit the ORCi website www.orci.co.uk for current safety equipment regulations.

7.4 BALACLAVA

Please visit the ORCi website www.orci.co.uk for current safety equipment regulations.

7.5 WET WEATHER CLOTHING

Please visit the ORCi website www.orci.co.uk for current safety equipment regulations.

7.6 1kg FIRE EXTINGUISHER

Please visit the ORCi website www.orci.co.uk for current safety equipment regulations.

7.7 DRIVERS SEAT WITH HEAD RESTRAINT

You must have a Driving Seat with a head restraint. The seat should occupy its original position where possible and be suitably supported at shoulder height and on both of the sides and back, with a suitable framework or seat stiffener's.

7.8 SAFETY HARNESS

Please visit the ORCi website www.orci.co.uk for current safety equipment regulations.

8. VIOLATIONS

1. When referring to the engine, gearbox, final drive, mechanical or construction Rules & Regulations, the principle will always be: *Unless permission is specifically granted to make modifications (or any variation) nothing may be done to alter or change the Standard Parts in any way.*
2. It is the responsibility of the Driver to prove to the Promotion that the part is legal, by way of written proof of where the part originated. This must be undertaken within 7 days, otherwise the item in question will be deemed illegal, resulting in immediate suspension from racing & referral for disciplinary action. Unless the rules say you can do it, you cannot do it!
3. Presentation of a Vehicle for Scrutineering is a declaration by the entrant that the vehicle is eligible for that event.
4. Car engines & fuel will be checked on a random basis. Violations or refusal to allow an engine check will result in an immediate suspension of all racing facilities.
5. All Car and Engine Specifications will be taken from either the manufacturers Technical Specifications or the Technical Service Data books as published by Glass's Guide.
6. Should a discrepancy occur between the Specifications then the Promotion will exercise its judgement, and that decision will be final.
7. Clarification on any one item may be sought from the Promoter.
8. Each driver is permitted one car per meeting & each car is permitted one driver per meeting.

9. GENERAL RULES OF RACING

1. You must line up in your grid positions with the engine switched off.
2. Grid positions will be allocated on a first come first served basis on track. Race winners will start at the back of the grid for the rest of the meeting. If it is a points series meeting then the top 3 of the points series will start from the back of the grid, along with the Current World Champion & the Track Champion.
3. The definition of a 'T-Bone' is when contact is made with the side of a car between the front and rear wheels. **T-boning cars is not permitted.**
4. The Malcom Girling Rule may only be used on championship races which covert a roof grade eg. World Championship. This is when a car has deliberately been taken out by breaking the rules of racing within the last 3 laps of the race eg. a car coming off the infield to stop the leader / a car giving a 'head-on'.

This does not include a lapped car taking out the leader providing the manoeuvre used is within the permitted rules of racing. If the Steward Of The Meeting decides that the Malcolm Girling has come into effect the result shall go back to when the offence occurred and the leader of the race at that point will become the winner. The Malcolm Girling rule only applies to the driver leading the race.

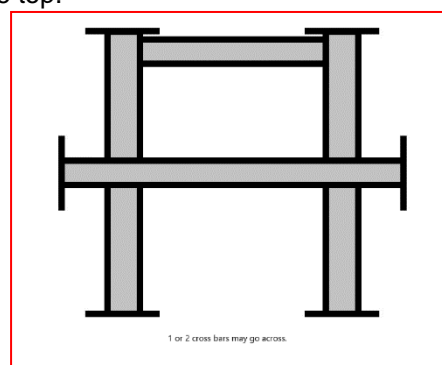
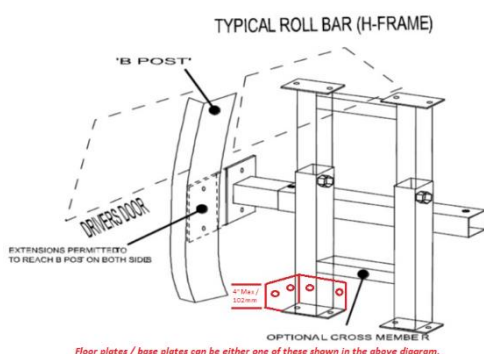
10. DEMOLITION - TYPE EVENTS

The following rules apply to any race where the nature of the event is to win by stopping the opposition. Demolition Derby Rules may only be used when the staging promoter declares (by way of a drivers briefing, letter, or notice on the programme) that these rules apply

1. Attacking from the opposite directions permitted, providing the attack is from the outside of the track i.e. the fence side.
2. You may wait for a car or attack any part of the car except for the driver's area. This area is defined as being from the centre of the OSF wheel to the centre of the OSR door.

11. ROLL BAR

1. Roll cages may be adjustable (**height at the top of the cage** and width), however the use of screw adjusters i.e. acrow style are not permitted.
2. The roll cage must be fitted upright or dog-legged, but not leaning back or forward.
3. It is compulsory to pad roll cages, including the B pillar and steering columns must also be padded with as foam as possible.
4. The hoop must be one piece or two uprights and one top bar of a welded construction. This top bar should be as shown at the top of the uprights.
5. A second cross bar is compulsory, a third is optional; these must be welded or bolted to the uprights.
6. THE ROLL BAR MUST NOT HAVE ANY REAR SUPPORTS but may have extensions no further forward than the B post (see diagram below).
7. The minimum size for roll bar is 2"(50mm), maximum size 4"(100mm), minimum thickness 3mm. This MUST be box or tube.
8. Crossbars must have a 5" (125mm) square end plate fitted. This must be minimum 6mm thick.
9. The roll bar cross bars must be straight, or extended forward to the B pillar.
10. Each upright must have a minimum of two bolts on each side to the floor and two each side at the top. The maximum size of the base plate is 15" (385mm) x 11" (280mm) These may go up the side of the sill or the rear panel straight up and a maximum of 4" (102mm) high and the same length and width as the base plate/floor plate of the cage, a maximum of 2 bolts through the side.
11. You must tie the seat at shoulder level to the roll cage or B pillar, through the seat frame not headrest, you may fit the 2nd cross bar in support of the seat just below the window aperture or weld a frame on the cage to support the seat at the top.



These two diagrams are a guideline to how the frame should be constructed but gusseting or triangulation is accepted.

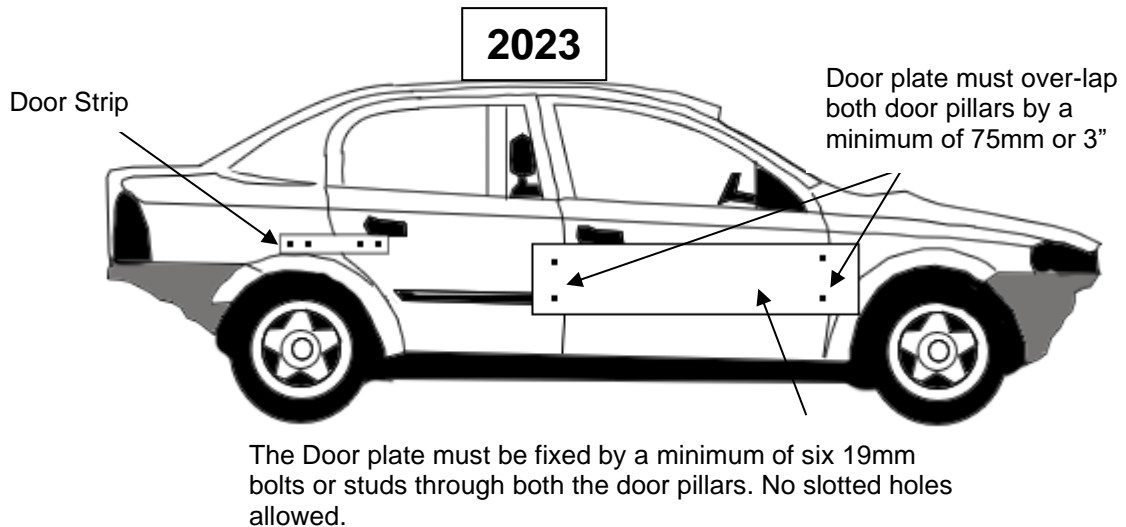
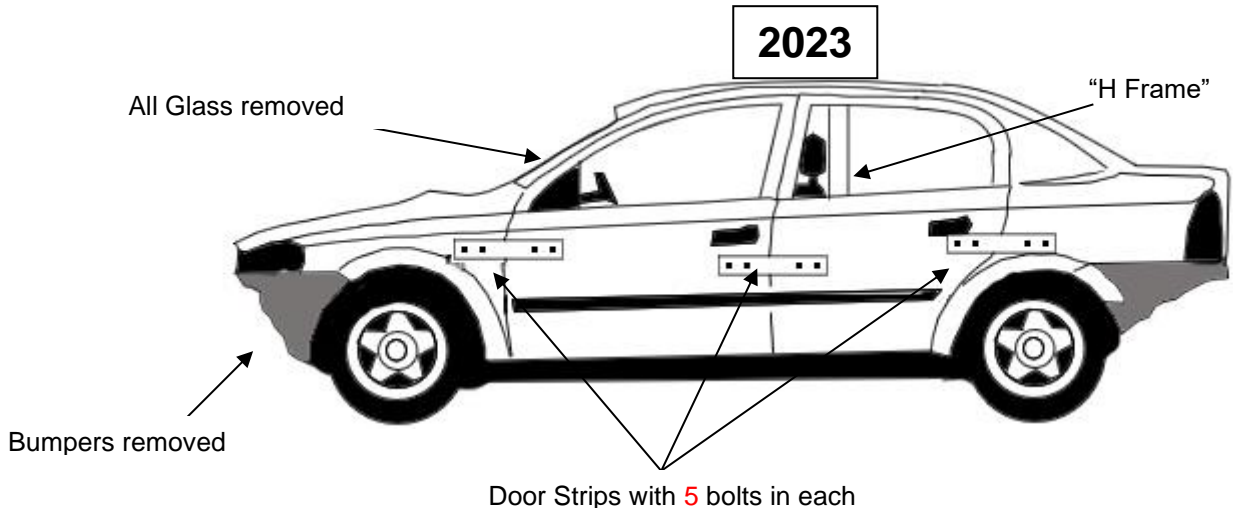
12. BODYWORK

Doors

1. The Drivers door is only part on the car that can be welded and a piece of box or tube can be welded to the lower window aperture, you are allowed to weld the drivers side rear door lower

window aperture with a piece of box or tube no longer than 6" (150mm). No other welding is permitted anywhere else on the car apart from the sun roof plate. If the drivers door is not welded then a bolt maybe used in the B-Pillar on the drivers door.

2. All the other doors must be fastened with either of the following:- (1) strip plates no longer than 300mm or 12" in length, by 75mm or 3" in width. (2) rectangular plates 300mm or 12" in length, by 300mm or 12" in width. **These can be fixed with a maximum of five bolts of which one must go through the A pillar & the B pillar.** The rear door can be held shut with two bolts directly through the panel, if a clamp is not used. No additional bolts in rear arches, wings or pillars.
3. No bolts above the bottom of the window line.
4. The tops of the door frames may also be tied with seat belt webbing (only one piece can go through the roof but you may use seatbelt around the pillars) this maybe attached with tex screws or tied. The bottom of the door may have one piece of seatbelt which goes through the floor attached with tex screws or tied. Do not weld these other doors. Tailgates/boot maybe fixed with a maximum of four separate fixings. This does not include the drivers door. The drivers door can be welded or use as much seatbelt as required.



5. A driver's door plate must be fitted & overlap the door pillars by a minimum of 3". *NB. No trench plates are permitted.*
6. The plate must be a minimum of 10mm or 3/8", to a maximum of 19mm or 3/4" in thickness.
7. Its depth must be no less then 254mm or 10" & no more then 305mm or 12".
8. The plate must be fixed by either four 19mm fixings or **six 12mm fixings**, through the door pillars with large washers on the inside.
9. The door plate holes must not be slotted.
10. An additional piece of angle iron or box section, not exceeding 76mm or 3" in its width and of any gauge, may be welded horizontally along the length of the door plate. The ends of this horizontal section must have the ends tapered or cut at an angle so as to prevent getting tangled up in rubbing situations. Any bolt fixings must not protrude this section of metal, they must be flush.

11. A steel plate fitted to the driver's floor-pan is permitted. It must be no thicker than 6mm, and must be bolted and/or welded in. This may be modified to rise to the maximum height of the sill of the door side only.

12. NO Pulling eyes are allowed.

Front & Rear Bumpers

All Rear must be removed, The original front bumper maybe left on but the outer plastic has to be removed, no additional welding or bolting is to used on the front bumper, also no adding of bumpers during the meeting. **No Wrapping or Taping of Bumpers.**

Front Wings

The lower part of the wing may be trimmed level to where with the top of where the bumper was but must not be folded or have any additional fixings. They maybe crimped at the lower edge.

Bonnet Fixings

1. Bonnets may be removable but must be securely fixed front and back with bonnet locking pins of some form. If bolts are used a maximum thread size of 16mm, with maximum size of washer 4" or 4". No crush tubes allowed. Bolts must go through inner flitch or slam panel i.e. not through chassis. A maximum of 4 bolts may be used.

Triangular corner plates or straps can be upto a maximum of 300mm in length of the 90 degree angle of the plate and may be used to secure the rear of the bonnet by bolting or welding (1/8" thick). Plates or straps must be placed no further than 12" across or down from the back edge and side of the bonnet. In this case you may only use two bolts at the front and two pieces of seatbelt. The seatbelt in the bonnet cannot include tex screws.

Sun Roofs

1. The glass must be removed and replaced with a piece of metal of 2mm, overlapping the aperture all the way round by 100mm or 4". The plate can be either welded or bolted in place. The fixing of this panel will have to meet scrutineering approval.
2. The sunroof cover must not cover over the roll cage bolts.

Aerofoils, Wings & Spoilers

1. All aerofoils, wings and spoilers must be removed.

Grilles

1. These must be removed.

Engine Mounts

1. **You may add one additional steel mounting with a maximum of four steel bolts to the block, this is either from the engine or gearbox not both.**
2. **This mount can be no longer than 10" (255mm) long & must not bolt through the chassis.**

13. ENGINES

1. The engine must remain as it was produced in its standard form.
2. The air filter may be removed or replaced.
3. The carburettor body & Venturi's must not be altered or modified from the standard design.
4. Multi point injection can be used, but you may also remove the injection system and replace it with a single carburettor set-up (Weber 32/36 are permitted) or Diesel. No twin carburettor set-ups except the twin carburettor set-up on a Honda / Rover.
5. Any cars are permitted to run the weber carb.
6. All twin cam Honda engines are banned.
7. On the following vehicles Vauxhall Astra, Nissan Almera & Primera, Honda Civic you may use the older type engine in the later type body shell.
8. The Ford Zetec 1.6SE maybe fitted to any Fiesta or Focus, if swapping a focus engine, this engine must have the plastic manifold at the front.

9. This rule is under constant review and maybe changed during the season.
10. **The standard ECU that was manufactured with the engine must be used.**
11. An oil filter guard is permitted on forward facing oil filters. It must be made from flat plate being a maximum of 4" x 4" diameter and a maximum of 6mm thick, secured back to the engine using 2 pieces of 1" box section. The plate must not come forward of oil filter more than 1" and be mounted on the engine as close as possible to oil filter. The object of this is to prevent oil fires and not to strengthen the car therefore if the scrutineers believes the guard to be excessive you will be asked to remove it.
12. A clutch guard is permitted on front of the engine/gearbox if fitted forward facing of the engine, with a maximum size as follows:- 6" x 4" and a maximum thickness of 6mm. This must be secured to the engine/gearbox only, ***This must be separate from the engine mount.***
13. Homemade Thermostat housing are permitted but must be no bigger than the original size.
14. Distributers externally can be modified but the internals must remain standard.
15. No cambelt covers are allowed.

14. GEARBOX

1. The Transmission must be kept as produced for the model in its standard form.
2. You may not lock the differential, or any type of slipper or power lock differential cannot be used even if fitted as standard.
3. You may use cables to enable gear change.
4. ***VX Astra Mk4/Mk5 can use the 5speed gearbox or the interchangeable pinion 5 speed Gearbox only. No 4 Speed Gearbox can be used.***
5. ***Differentials to be used are the - 4.1 3.9, 3.7 only***
6. ***Clusters to be used are the 1.96 or the 2.13 only***
7. ***Ford Focus cannot use the ford fiesta gearbox.***

15. WHEELS & TYRES

1. ***Tyres – 14inch and under minimum 60 profile – 15inch and above minimum 50 profile.***
2. All four wheels must be of the same diameter.
3. ***Wheel off sets are free, the only exception is the 1600 world final where the offset, wheel size and tyre size must be the same per axle.***
4. All wheel fixings must be in place.
5. All wheel weights & hub caps must be removed.
6. Any standard road wheel steel or alloy can be used up to a width of 6". Astra is allowed 6.5J
7. No Weller rims permitted.
8. Only conventional tyres may be used. Tyres must read a minimum of 60 on a durometer at any time.
9. Tyre Gaiters are permitted.
10. You are not allowed to use the following:

Racing tyres. Mud & Snow tyres, Alpine tyres, knobbly or any type of competition tyre, Town & Country tyres, 7.3 Avon Turbo Speeds, Colway Competition tyres, **Goodyear F1 Eagle**, Tread cut tyres or tyres with the markings erased.

Decisions on which tyres are permitted will be at Scrutineer's discretion.

11. ***Suspension.*** All suspension must remain standard to the car which is being raced. No re-valving or oil on shock absorbers and no changing or lowering of the springs is permitted. Negative Camber is not permitted on any wheel on a fresh car, on a used car race camber is accepted if race damage and not modified, I E Washers/Heating. No welding of the legs to hubs.
12. ***Front and rear springs have to be symmetrical from side to side. Springs must be tied in but this cannot be in any way pulling the spring down.***

This is a new list of upto date tyres which are also banned from Bangers detailed below:-

AVON <ul style="list-style-type: none"> • ACB 10 Sport • CR6ZZ (Including Sport) • Turbospeed CR28 Sport • CR500 • ZZR 	GOODYEAR <ul style="list-style-type: none"> • EAGLE F1 HANKOOK <ul style="list-style-type: none"> • Z209 • Z210 	NANGKANG <ul style="list-style-type: none"> • NS-2R PIRELLI <ul style="list-style-type: none"> • P Zero Trofeo • P Zero C • CA67
--	---	---

<p>BRIDGESTONE</p> <ul style="list-style-type: none"> • Potenza S007 RFT <p>CONTINENTAL</p> <ul style="list-style-type: none"> • ContiForce Contact <p>DMACK</p> <ul style="list-style-type: none"> • Trackday <p>DUNLOP</p> <ul style="list-style-type: none"> • Formula R D83J • Formula R D84J • Formula R D93J • Direzza 02G • Direzza 03G • CR 311 • Sport Maxx Race • SP Sport R7 <p>FEDERAL</p> <ul style="list-style-type: none"> • 595 EVO • 595 RSR • FZ 201 	<p>KUMHO</p> <ul style="list-style-type: none"> • Ecsta V700 (inc V78) • Ecsta V70A • Ecsta TW01 • Ecsta TW02 • Ecsta C03 <p>MARANGONI</p> <ul style="list-style-type: none"> • Zeta Linea Sport <p>MAXXIS</p> <ul style="list-style-type: none"> • Maz1 Drift <p>MAXSPORT</p> <ul style="list-style-type: none"> • RB4 Intermediate • RB5 <p>MICHELIN</p> <ul style="list-style-type: none"> • Pilot Sport Cup • Pilot Sport Cup 2 • TB 15 • TB 15 (f & r) 	<ul style="list-style-type: none"> • CF67 • P Zero Corsa • P7 Corsa Classic • P Zeri Torfeo R12 <p>SILVERSTONE</p> <ul style="list-style-type: none"> • FTZ Sport RR • FTZ Wet Tyre • S575 • S585 <p>TOYO</p> <ul style="list-style-type: none"> • R888 • R1-R <p>YOKOHAMA</p> <ul style="list-style-type: none"> • All Tyres
---	---	---

In addition to the above table No “run flat” tyres, no 1B rated ‘Track-day’ tyres, no Rally tyres or competition type or cut tyres.

16. EXHAUSTS

1. Silencers maybe changed but no cherry bomb type are permitted. Any car that seems to be too noisy will not be permitted to race. This is at the scrutineer and Steward Of The Meetings discretion.
2. Exhaust manifolds must remain standard, but the exhaust maybe changed and the catalytic converter maybe replaced with steel tube. The Simpson & Edwards stainless steel exhausts are permitted.
3. Extra fittings are permitted.
4. Ineffective or systems that become insecure while racing will require you to pull off the circuit, as you will be excluded from the results & get a black flag.

17. COOLING SYSTEM

1. Radiators are free & may be moved to any position in the engine bay.
2. Electric cooling fans may be wired through a separate switch.
3. A bulkhead water tank maybe fitted, must not go further forward on the passenger side than the centre line of the turret, driver side must not go forward at all, meaning NO U-shaped tanks. These must not be bolted to the turret and bulkhead bolts must not be connected to door plates or floor plates.

18. BRAKES

1. The standard manufacturers system must be used & work on all 4 wheels.

19. FUEL SYSTEM

1. The tank must be Steel & have a maximum capacity of 9 litres. No converted fire extinguishers are allowed.
2. The fuel tank may be fitted to the “H frame” or behind the driver in the passenger area.
3. Fuel caps must be of a metal screw type, no push fit types are allowed.
4. The fuel outlet must be from the top of the tank.
5. The tank must be securely fixed in place.

6. A breather pipe must be fitted which must incorporate a one – way valve. The pipe must terminate through the floor as to prevent spillage if inverted.
7. All fuel lines must be of good quality rubber or be metal covered, no rigid metal piping is allowed.
8. **Only roadside fuel can be used Petrol or Diesel, Maximum of 99 Octane. No additives including oils are allowed.**
9. If an electric pump is fitted a cut-off switch must be in close proximity of the driver.
10. Multi point injection can be used with a return back to the tank or a t-piece fitted in the fuel line between the fuel tank and the fuel pump but the electrical isolation switch (cut off switch) must be fitted in the N/S/R window area of the B post, for easy access of Safety Marshalls.
11. You may also remove the Single or Multi-point injection system and replace it with a conventional carburettor if it's available from the manufacturers range. If you have doubts about the legality of the change, please phone the Stockcar Office for confirmation.
12. With carburettor fuelled cars, a manual shut-off tap must be fitted within reach of the driver when strapped in the car, but with fuel injected cars, the fuel flow must be controlled by the pump cut off switch. Immersed fuel pumps are permitted.
13. Twin choke weber jets are free but the linkage must not be a twin opening type.

20. BATTERIES & THE ELECTRICAL SYSTEM

1. The Battery must be securely fixed & covered with a rot proof material, if it is not of the sealed cell type.
2. If battery is mounted on the floor it must be secured in a box the maximum size is to be 18" x 12" or equivalent. If the battery is not mounted on the floor, please refer to Section 11 Point 5.
3. The batteries must be a minimum of 152mm or 6" away from the fuel tank.
4. No seatbelt straps must interfere or come into contact with the battery.
5. A battery master switch must be fitted in the rear left-hand window and clearly marked "ON-OFF" or have an electrical danger decal. The cut-off switch must break the earth connection lead & this must kill all the power to the car.
6. A self-starter motor must be fitted & working at all times.

21. MIRRORS

1. The Interior mirror may be fitted.
2. Maximum mirror size is 152 x 100mm or 6"x4" and if glass, it must be covered in a clear plastic film to stop the glass fragmenting.

22. PAINTWORK

1. The external appearance of the car must look bright & professional at all times; drivers of scruffy looking cars will be told to improve their appearance & may not be allowed to race.
2. Sign writing must be professional and be approved by the Promoter. Any signwriting determined to be offensive by the promotion / scrutineers must be removed. Failure to do so will result in further action.

23. SUN VISOR

1. A Sun visor 165mm or 6" in depth may be fitted with your name upon it only on the front windscreen aperture.

24. FIN PLATES

1. **Fin plates must be fitted above the roof line & must not hang over the roof line at the back of the car.**
2. **Fin plate numbers must be 229mm or 9" high by 38mm or 1½" in width, plain black numbers on a plain white background only. Please ensure they are correct. No Holographic numbers or backgrounds.**

25. STEERING WHEELS

1. Steering wheels and columns maybe changed.

26. DATA LOGGING

1. No data logging is permitted.

27. SEAT BELTING

1. *Each Piece of Seatbelt must be fixed separately.*
2. *If Chain is being used minimum size of chain is 8mm Diameter.*

28. SPECIFICATION AND RULE CHANGES

The Promotion may at any time make amendments to the Specifications for the following reasons:

- In the interests of Safety
- Reduce costs for the driver
- In areas that are detrimental to the future of the formula
- If an unnecessary advantage has been deemed.

For further information contact:

Spedeworth House
Hollybush Industrial Park
Hollybush Lane
Aldershot
GU11 2PX

Tel: 01252 322 920

e-mail: info@spedeworth.co.uk

REVISED RULES FOR 2023 IN BOLD/ITALIC **RED** PRINT

ITEMS MARKED ~~STRIKETHROUGH~~ ARE NO LONGER ALLOWED

2023 Banger Technical Specifications, Issue 2, Dated 17th January 2023.